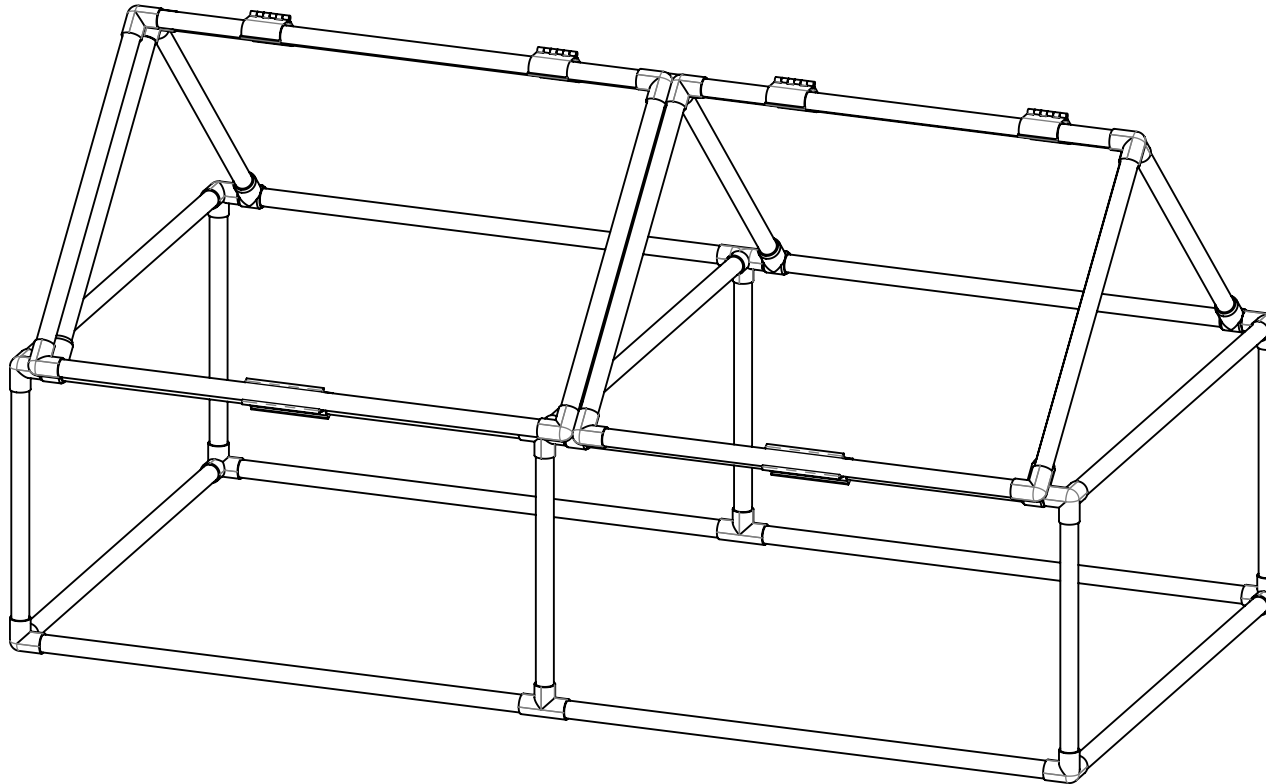
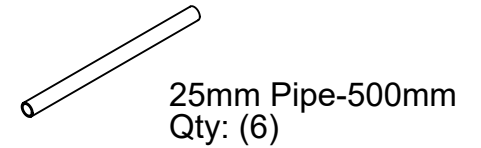
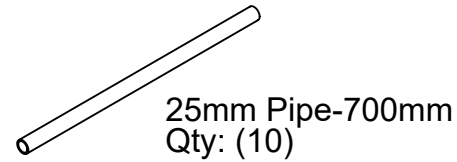
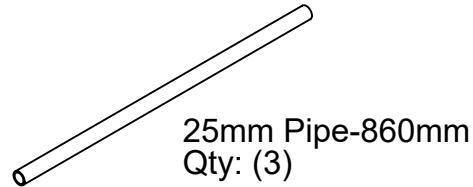
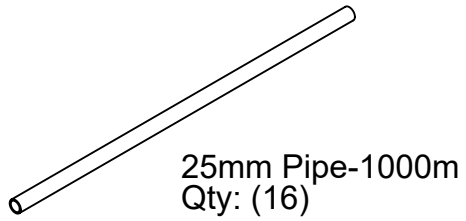


**KLEVERCAGES**<sup>TM</sup>  
PVC CONNECTOR SPECIALISTS



# MINI-GREENHOUSE / SHADEHOUSE ASSEMBLY INSTRUCTIONS

# Parts Included In Kit



25mm 3-Way  
Elbow Connector  
Qty: (10)



25mm 3-Way  
Tee Connector  
Qty: (2)



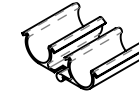
25mm Slip Tee  
Connector  
Qty: (6)



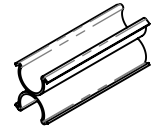
25mm 90 Degree  
Elbow Connector  
Qty: (8)



25mm 4-Way  
L Tee Connector  
Qty: (3)

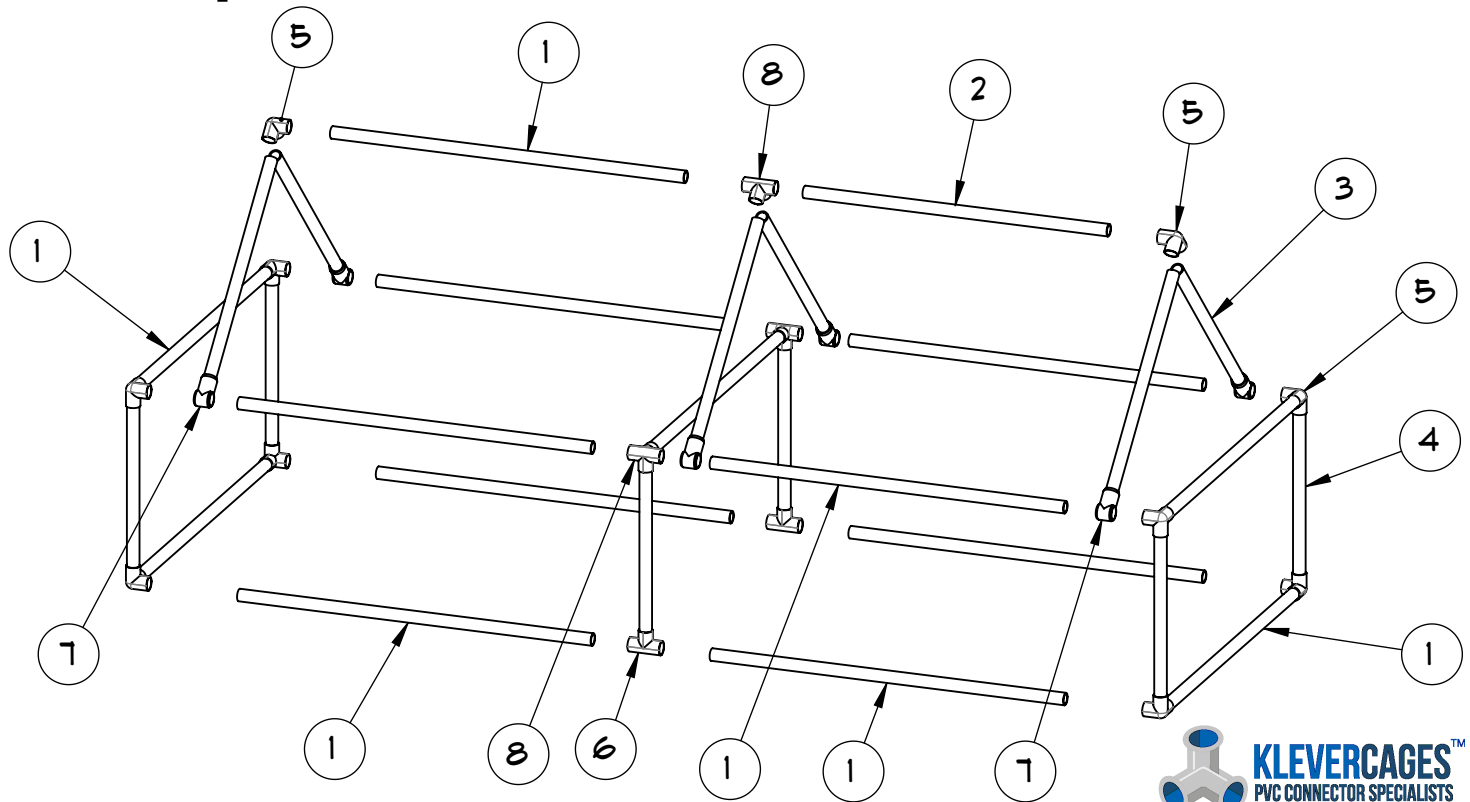
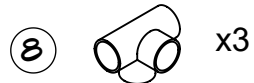
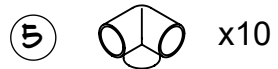
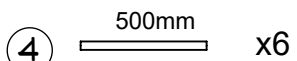
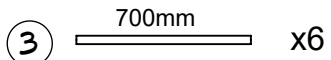
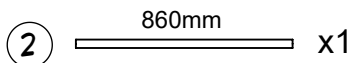
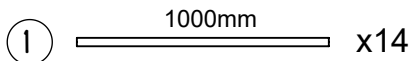


25mm Hinge  
Qty: (4)

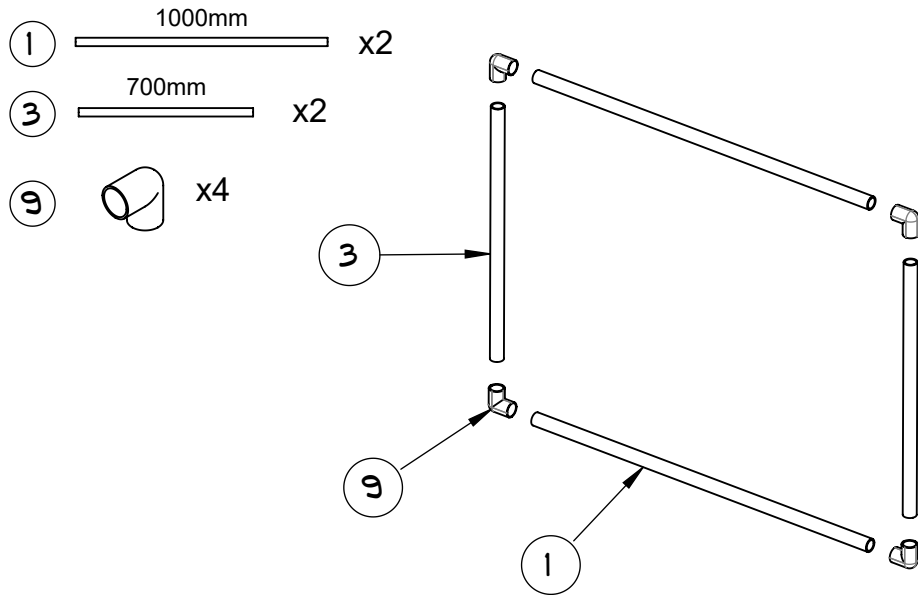


25mm Snap  
Cross Connector  
Qty: (2)

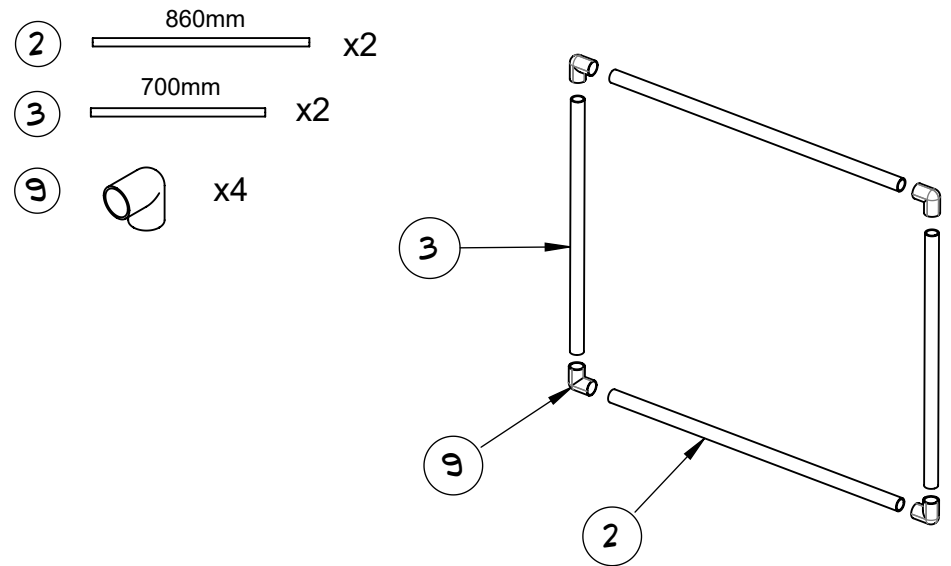
## Step1: Assemble Main Frame



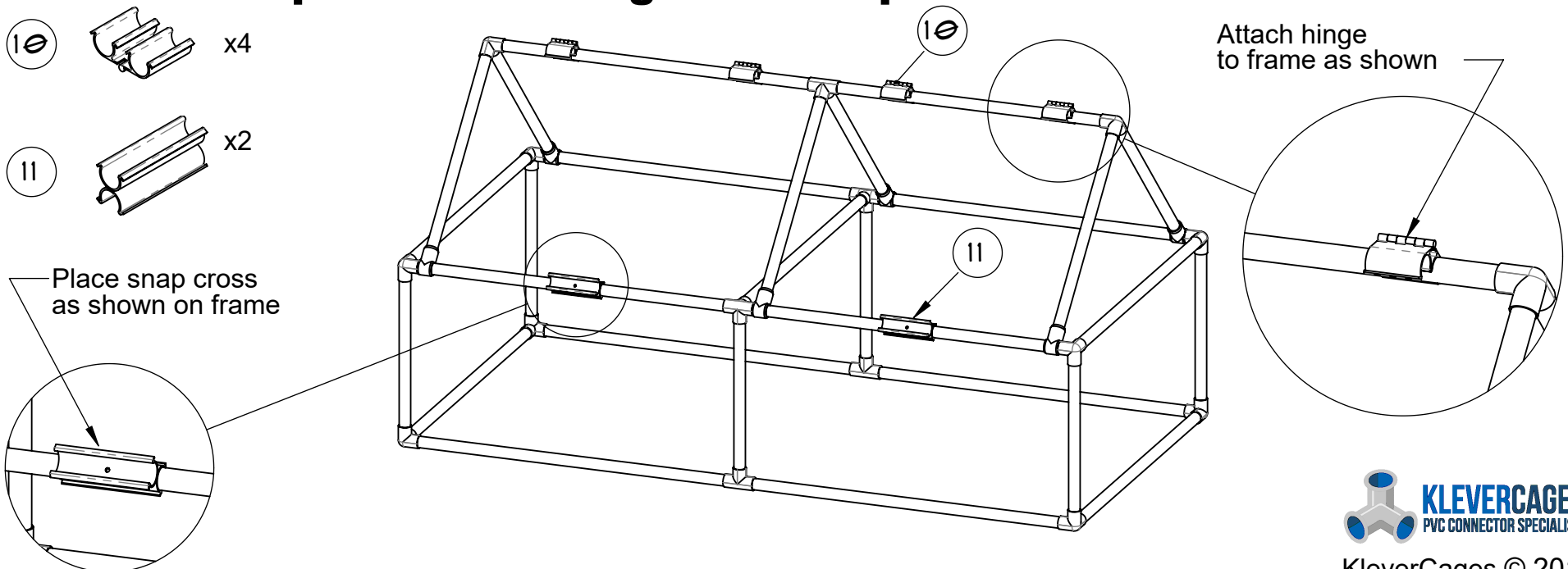
## Step 2: Assemble Door Frame A



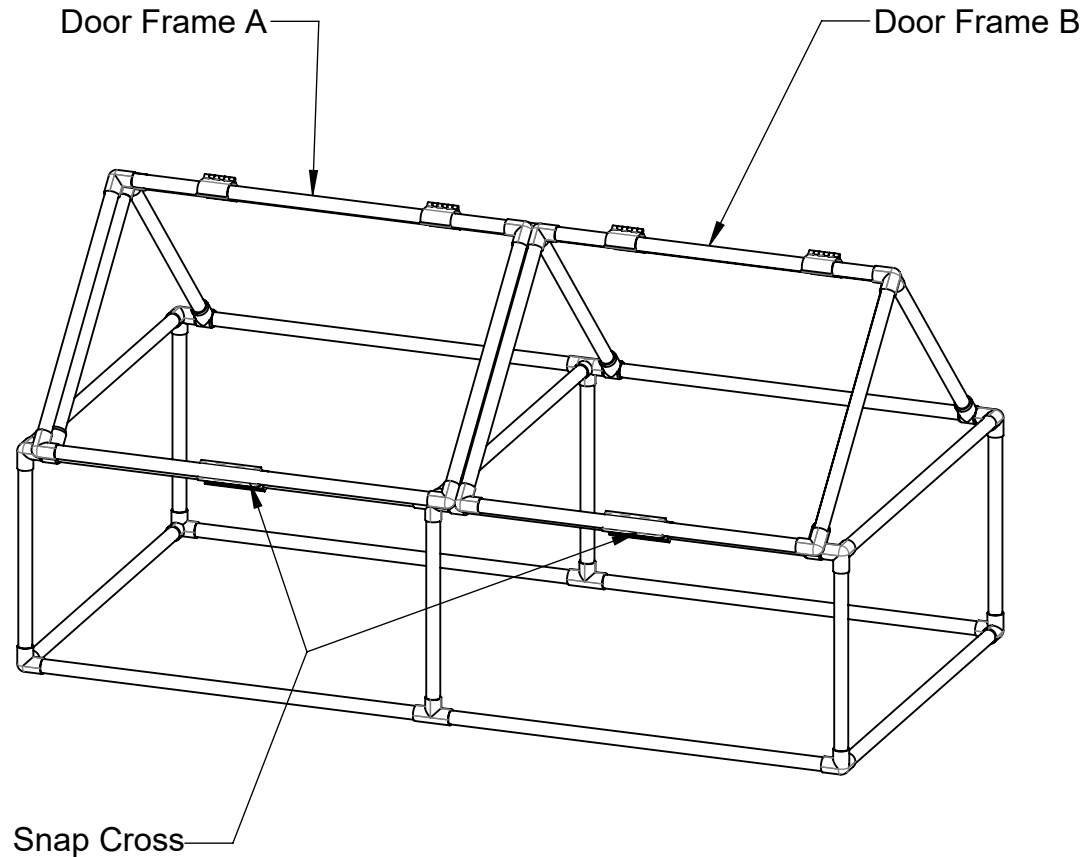
## Step 3: Assemble Door Frame B



## Step 4: Attach Hinge and Snap Cross to Main Frame



## Step 5: Attach Door Frames to Main Frame



Join us on Facebook for project plans, netting options, updates, and much more!

[www.facebook.com/klevercages](http://www.facebook.com/klevercages)

or visit us on the web at

[www.klevercages.com.au](http://www.klevercages.com.au)

Telephone: 04319-CAGES  
Website: [www.klevercages.com.au](http://www.klevercages.com.au)



KleverCages © 2016